



24.21.34

JEEP JUNIOR PEDAL GO-KART

Great performance, great adventures

There is now a real JEEP® go-kart for even the youngest adventurer! This go-kart can take on any surface with its sturdy off-road tyres. The seat and steering wheel are adjustable, ensuring years and years of playing fun. This go-kart also has a unique BFR system, enabling you to brake with the pedals and, after coming to a standstill, immediately pedal backwards!



Jeep, the Jeep grille and related logos, vehicle model names and trade dress are trademarks of FCA US LLC and used under license by BERG Toys. ©2018 FCA US LLC.

BERGTOYS.COM



Go on an **adventure** with the JEEP Junior pedal go-kart!

Weight product: 18.5 kg
Weight with box: 22 kg
Box size in cm: 73x68x26

age **3-8**

EAN-code: 8715839026955



WHY A BUDDY?

Great performance, great adventures

You will have the best adventures with your BERG Buddy. This cool go-kart is stable and safe. You will remain firmly on the ground even when going round the sharpest corners.

Discover the world with this cool go-kart! You won't need to worry about a thing during your adventures, because the BERG Buddy meets all safety requirements. The BFR-system enables you to go tearing around easily. The BERG Buddy will grow with you so you will have fun for a long time to come. The BERG Buddy includes the following features that make it much safer and offer more fun:

- Robust frame
- Unique BFR-system (forwards, freewheel, brake, reverse)
- Stable thanks to 4 wheels + swing axle
- Comfortable pneumatic tyres
- Adjustable seat and steering wheel
- Suitable for children aged 3 to 8
- CE approved
- Ball bearings

1. ROBUST FRAME

The BERG Buddy will give you years of outdoor fun. This go-kart has a robust metal frame that can take a beating.

Also, the adjustable seat and steering wheel allow you to get into the ideal position in the BERG Buddy.



Experience **years** of **carefree** fun!



BERGTOYS.COM



2. BFR-SYSTEM

Great performance, great adventures

The BERG Buddy is equipped with the unique, patented BFR-system. BFR stands for: Break, Freewheel and Reverse. The BFR-system allows you to brake using the pedals, but also reverse immediately after coming to a standstill. This makes the BERG Buddy super simple and easy to ride. In addition, safety and maximum fun are perfectly combined due to the BFR-system.



Experience **years** of **carefree** fun!



BERGTOYS.COM

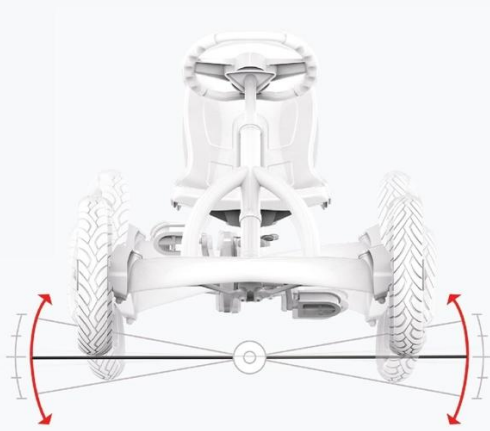


3. STABLE THANKS TO 4 WHEELS

Great performance, great adventures

Thanks to its four wheels, the BERG Buddy has excellent stability. They allow you to take corners quickly, sharply and safely.

The BERG Buddy also has a swing axle. This creates a swinging motion of the front wheels as a result of which bumps in the road are absorbed. Consequently, the BERG Buddy remains firmly on the ground. A safe solution!



Experience **years** of **carefree** fun!



BERGTOYS.COM

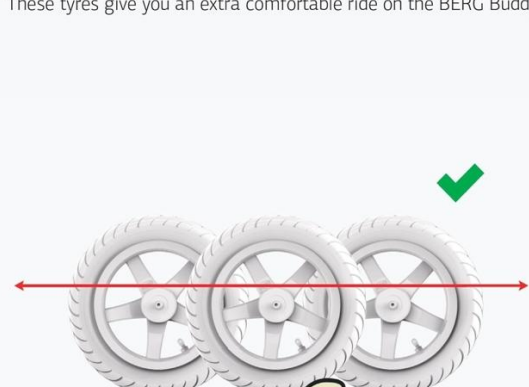


4. PNEUMATIC TYRES

Great performance, great adventures

The BERG Buddy has pneumatic tyres. These tyres have less rolling resistance and make pedalling much lighter. This makes the ride extra smooth and fast.

These tyres give you an extra comfortable ride on the BERG Buddy.



The BMW logo and the BMW word mark are trademarks of BMW AG and are used under license.

Experience **years** of **carefree** fun!



BERGTOYS.COM

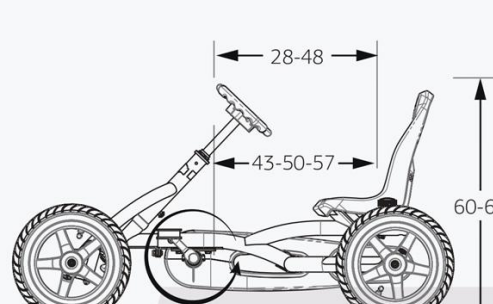
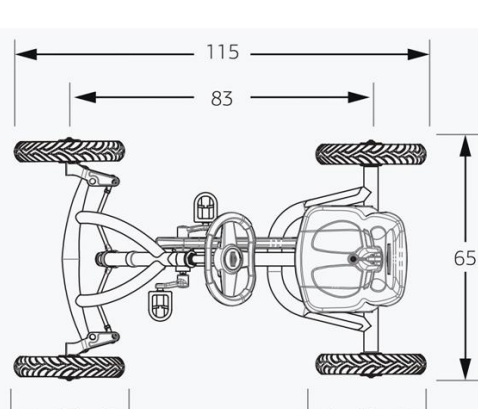
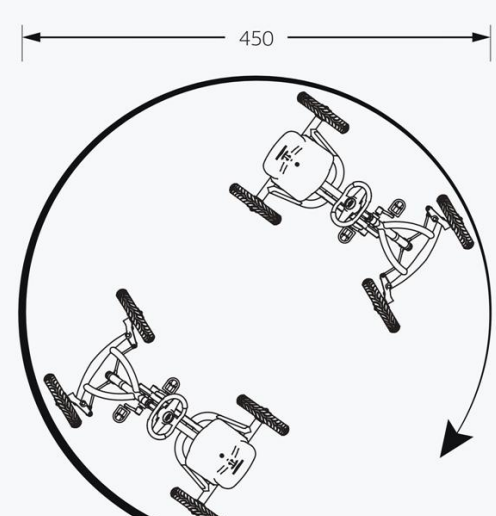


BERG BUDDY DATA

Great performance, great adventures

The following data is applicable on all Buddy versions.

450



*All dimensions in cm



BERGTOYS.COM



BERG BUDDY DATA

Great performance, great adventures

General	
Recommended age	3 – 8 years
Min user height	100 cm
Max user height	130 cm
Max user weight	50 kg
Parental supervision necessary	Yes
Safety mark	CE
Assembly time	±30 min
Physical characteristics	
Length	115 cm
Width	69 cm
Height	63 cm
Warranty	
Frame	2 years
Parts	2 years
Tyres	0 years

Technical characteristics	
Gears	N.A.
Tyre type	
Frame material	
Forward and backward	Yes
Braking system	BFR
Parking brake	N.A.
Transmission	BFR
Ball bearings	Yes
Swing axle	Yes
Adjustable seat	Yes
Adjustable steering wheel	Yes
Trailer connection	N.A.

Packaging	
Dimensions	73x68x26 / 73x71x26 (BMW Street Racer)
Cardboard in packaging	1.80 kg
Synthetic material in packaging	0.45 kg
Hardboard in packaging	0 kg
Number on Euro pallet	15 pieces (BMW Street Racer 12 pieces)



BERGTOYS.COM