



07.20.15.00

BERG RACE GTS FULL SPEC

Inspiring Active Play

How long have you been dreaming about a real racing car? Everyone will turn their heads to look at you in this cool BERG Race GTS Full spec; if they get the chance that is, because you will soon be tearing off again! Thanks to the pneumatic tyres and aerodynamic spoiler you are guaranteed high speeds. The BERG Race GTS Full spec is fitted with cool side skirts and front mudguards as standard.



Weight product: 55.8 kg
Packaging dimensions: 100x40x58.5 cm
Weight+box: 32.6 kg
Theme: 58x41.5x100 cm
Weight: 26.6 kg

age **5+**

BERGTOYS.COM

EAN-CODE: 8715839068818



1. BFR & BFR-3 FRAME

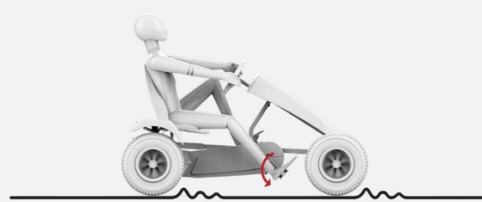
Inspiring Active Play

All BERG Frames, except the E-BF frame, are equipped with a unique BFR-system, incorporating a back pedal brake, together with forward and reverse pedaling. For maximum safety pedaling forward and reverse are automatic with no need for a lever or switch.

The BFR-system incorporates a freewheel. Which means that the pedals do not turn when the kart is moving and you stop pedaling. Resulting in a very safe ride.

Next to the BFR-system most themes are also suitable for a BFR-3 system. On every page in this brochure you can find if a BFR-3 system is also an option for that particular theme.

The BFR-3 system has all the benefits as the BFR hub. The advantage is that this system has 3 gears for optimal speed and comfort. The 2nd gear is equal to the 'normal' forward motion of the BFR hub. The 1st is a little lighter and the 3rd a little heavier. With the BFR-3 system the go-kart is suitable for all terrains.



The ultimate quality go-kart!



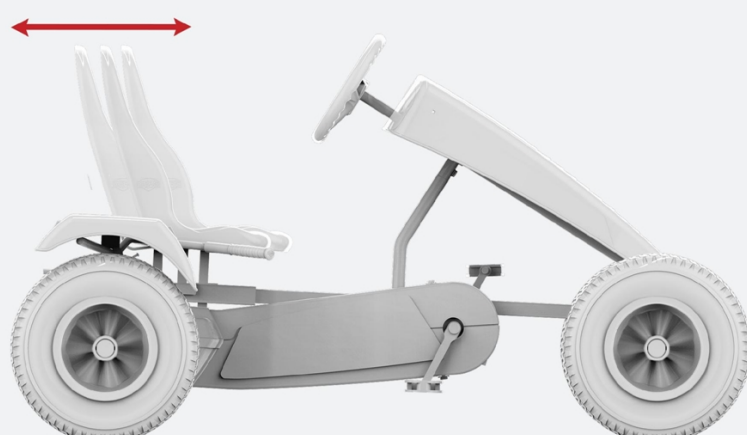
BERGTOYS.COM



4. ADJUSTABLE SEAT

Inspiring Active Play

Every BERG Frame has an adjustable seat. The seat can be set in 6 (XL Frame) or 8 (XXL Frame) different positions resulting in many years of driving pleasure!



BERGTOYS.COM

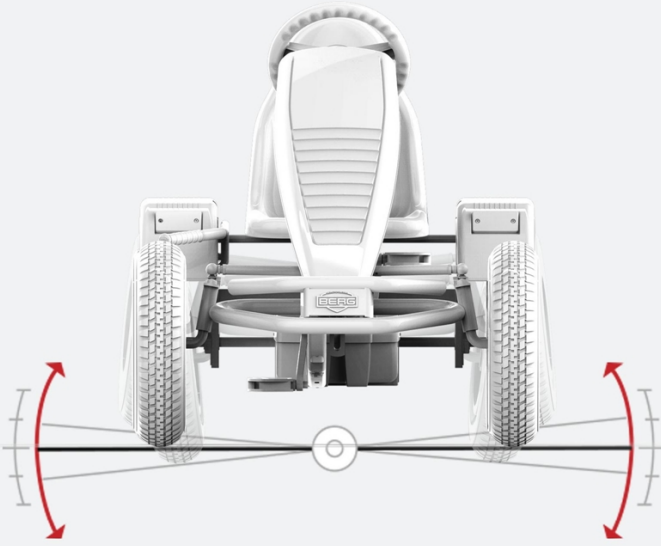


5. SWING AXLE

Inspiring Active Play

BERG Go-karts are designed to be suitable for all terrains. Smooth, bumpy, hard or soft ground. It's no problem for this ride-on!

Thanks to the swing axle all 4 wheels will stay in contact with the ground and this gives you optimal grip and control.



BERGTOYS.COM



BERG XL-RIDE ONS DATA

Inspiring Active Play

General

Recommended age	5+
Max user height	2m
Max user weight	100 kg
Parental supervision required	Yes
Safety mark	CE
Assembly time	<30 min
Min. length user	125 cm
Max. length user	200 cm

Warranty

	Consumer	Leisure
Frame (broken)	2* years	1 year
Parts	2 years	1 year
Tires, chain	0 years	0 years

Technical characteristics

Gears	1 or 3
Tyre type	Pneumatic tyres
Frame material	Steel
Forward and backward	Yes
Braking system	BFR/BF
Parking brake	Yes
Transmission	BFR/BF
Ball bearings	Yes
Swing axle	Yes
Adjustable seat	Yes
Adjustable steering wheel	No
Trailer connection	Yes
Tubeless	Yes

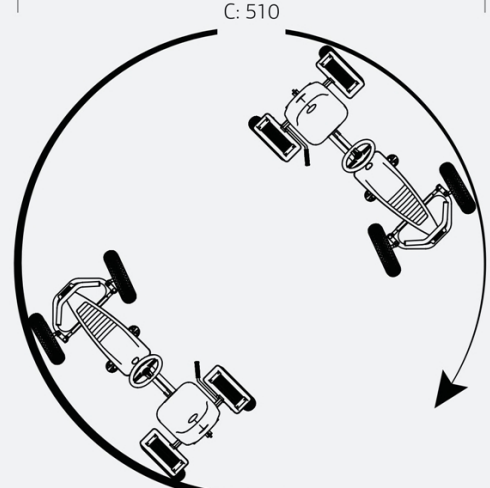
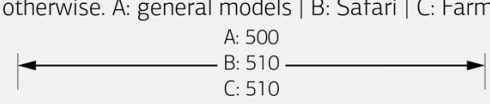
BERGTOYS.COM



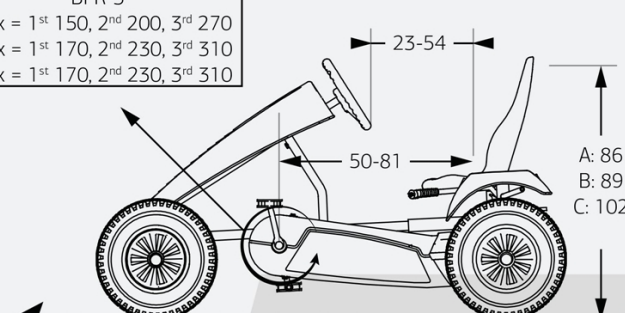
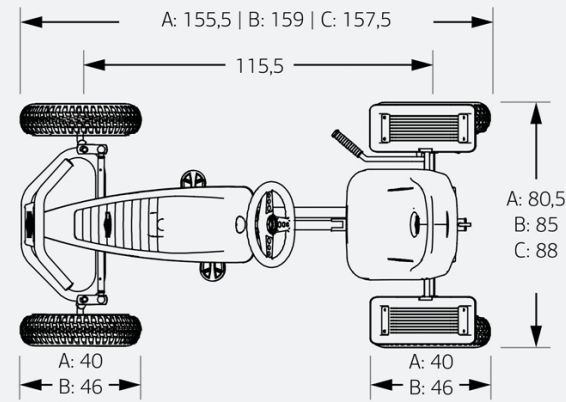
BERG XL-RIDE ONS DATA

Inspiring Active Play

All data is applicable on all XL Frame models unless otherwise indicated. A: general models | B: Safari | C: Farm models



BFR	BFR-3
A: 1x = 200	A: 1x = 1 st 150, 2 nd 200, 3 rd 270
B: 1x = 230	B: 1x = 1 st 170, 2 nd 230, 3 rd 310
C: 1x = 230	C: 1x = 1 st 170, 2 nd 230, 3 rd 310



*All sizes in cm

BERGTOYS.COM